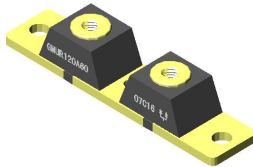
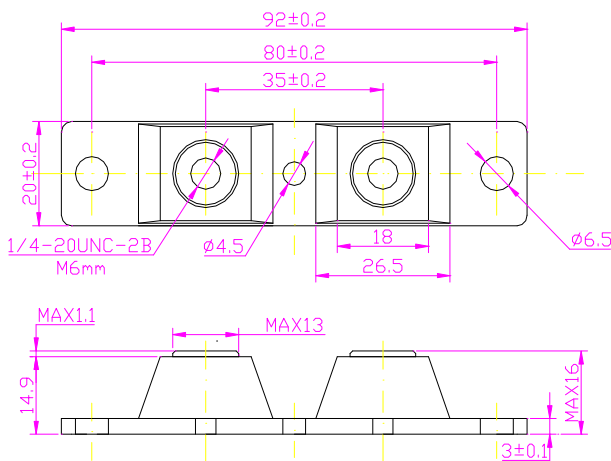


Ultrafast Recovery Modules

Reverse Voltage 800V
Forward Current 400A



Case Style: Twin Tower



Dimensions in millimeters

Features

- Plastic package has Underwriters Laboratory Flammability Classification 94V-0
- Glass passivated chip junction
- Transfer molding

Mechanical Data

- Case:** Twin Tower Molded plastic body
- Terminals:** Ni plated leads and base

Typical Applications

General purpose use in ac-to-dc rectification for Power Supply, Electric Welding, industrial automation applications

Maximum Ratings & Electrical Characteristics

Ratings at 25 °C ambient temperature unless otherwise specified.

Parameter	Symbol	MTT400A80CU	Unit
Maximum repetitive peak reverse voltage	V_{RRM}	800	V
Maximum average forward rectified (TC=87 °C)	$I_{F(AV)}$	2x200	A
Peak forward surge current single sine-wave superimposed on rated load (JEDEC Method) 1 cycle, 60Hz, peak, value, non-repetitive	I_{FSM}	2000	A
Maximum instantaneous forward voltage drop per leg at 200A	V_F	1.40	V
Maximum DC reverse current at $T_a=25$ °C	I_R	100	μA
rated DC blocking voltage per leg (800v) $T_a=125$ °C		7000	
Reverse Recovery time (1/2A, 1A, 1/4A, $T_J=25$ °C)	T_{rr}	140	ns
Max thermal resistance per leg	$R_{\theta jc}$	0.45	/W
Operating junction temperature range	T_J	-55 to +175	
Storage temperature range	T_{STG}	-55 to +175	